

Barkhausen Noise Accessories – Reference samples

REFERENCE SAMPLES FOR SENSOR CALIBRATION



Reference samples in a shaft.

Reference sample pairs for calibrating the Barkhausen noise sensors.

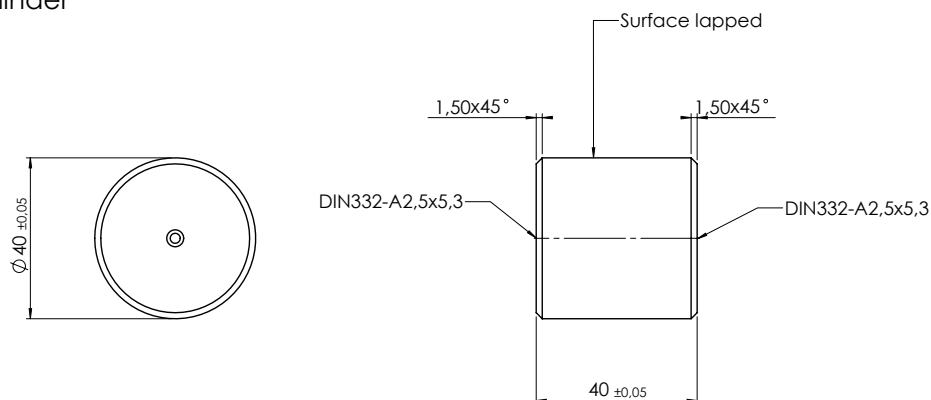
Reference sample pairs for calibrating the Barkhausen noise sensors are made from powder steel and are heat treated to specific hardness. Surfaces are fine ground. BN reading of the sample with 50 HRC is about 50 % more than that of the sample with hardness of 60 HRC.

The geometries available are cylinder and ring. Rings can also be attached to a shaft for easy reference measurements e.g. in some type of stands.

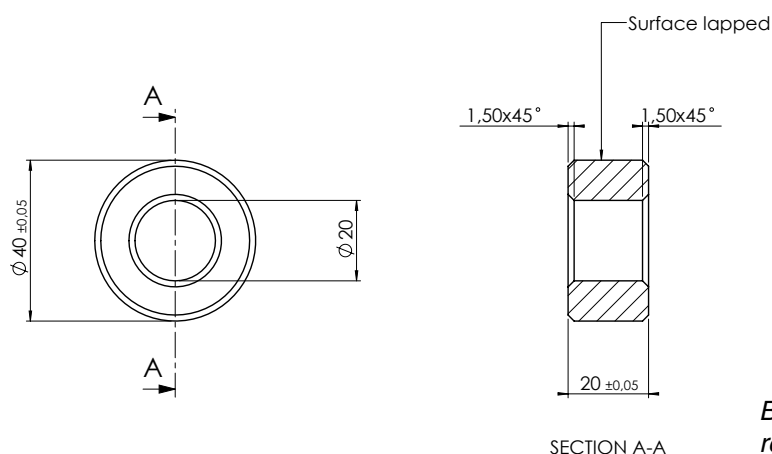
The samples are delivered with a specification sheet showing residual stress, retained austenite and BN level of the samples, which are unique.

Barkhausen Noise Accessories – Reference samples

Cylinder



Ring



*Barkhausen noise
reference sample
measures and finishing.*

Technical specifications

Shape	Diameter, mm		Height, mm	Hardness, HRC
	D	d		
Cylinder	40		40	50
Cylinder	40		40	60
Ring	40	20	20	50
Ring	40	20	20	60